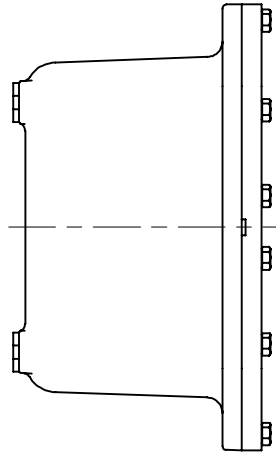
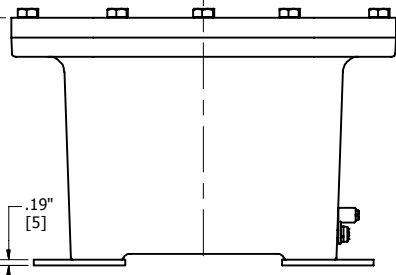


12.31" [313]  
6.16" [156]

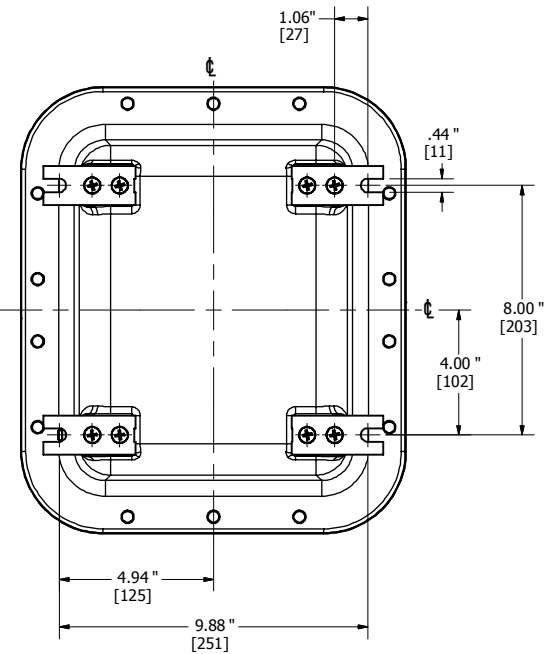
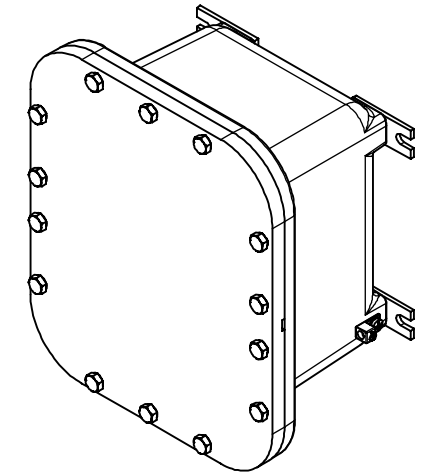
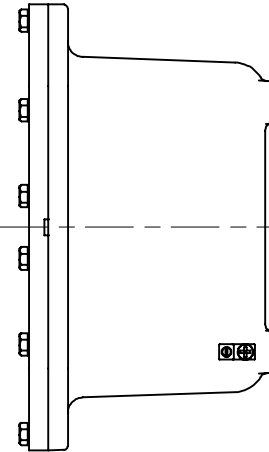


14.31" [364]  
7.16" [182]



7.94" [202]

.19" [5]



1.06" [27]

.44" [11]

8.00" [203]

4.00" [102]

4.94" [125]

9.88" [251]

MOUNTING FEET

DESCRIPTION	EXBLTP-8106
	
<small>THIS DOCUMENT IS THE PROPERTY OF KILLARK. IT IS LOANED TO YOU AND MUST NOT BE COPIED IN ANY WAY REFERENTIAL TO THE INTEREST OF KILLARK.</small>	